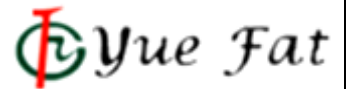


YB4F-458PT-PBI41A



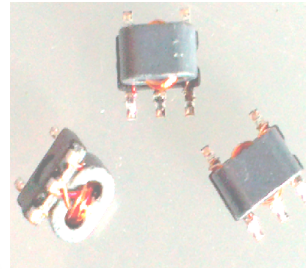
RF Balun Transformer, 1: 4CT Flux Coupled Transformer

1-350 MHz

Rev. 1

Features:

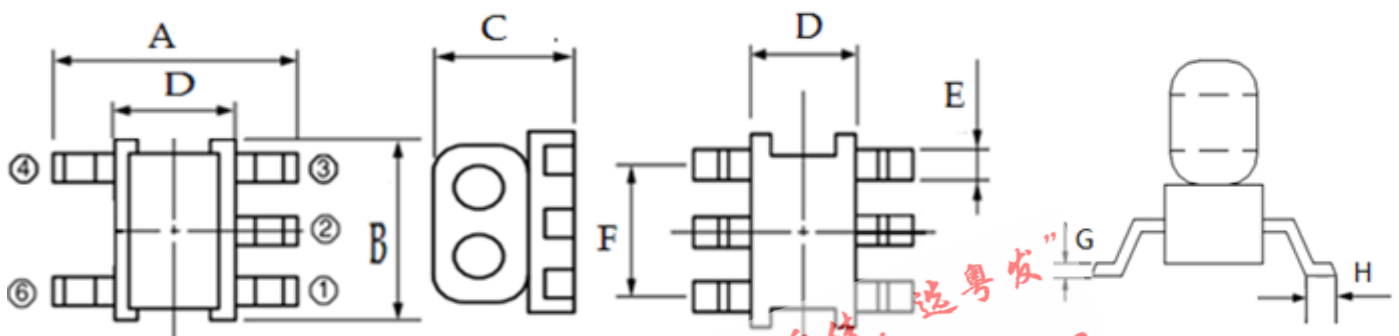
- ◆ 1: 4CT Impedance
- ◆ 50Ω Characteristic Impedance
- ◆ Frequency: 1 to 350 MHz
- ◆ RF power: 0.50W
- ◆ DC current: 30mA
- ◆ Insertion loss: 2.0dB Max; Input Return loss: 10.0dB Min
- ◆ Operating temperature range: -40°C to +85°C
- ◆ Storage temperature range: -55°C to +100°C



Applications:

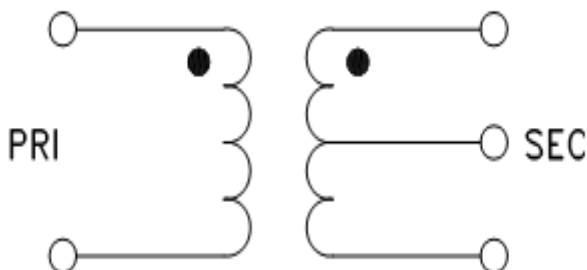
- ◆ For broadband and wireless communications
- ◆ For VHF/UHF receivers/transmitters and push-pull amplifiers

Dimension Diagram (Unit:mm) :

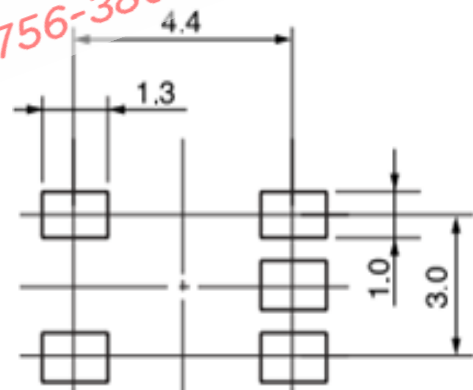


A=5.30±0.20 B=4.30±0.20 C=3.50±0.20 D=2.80±0.20 E=0.55±0.05 F=3.00±0.05 G=0.25±0.05 H=0.60±0.05

Electrical Structure :



RECOMMENDED LAYOUT:



DRAW BY

yang lin

CHECKED BY

ye yong jun

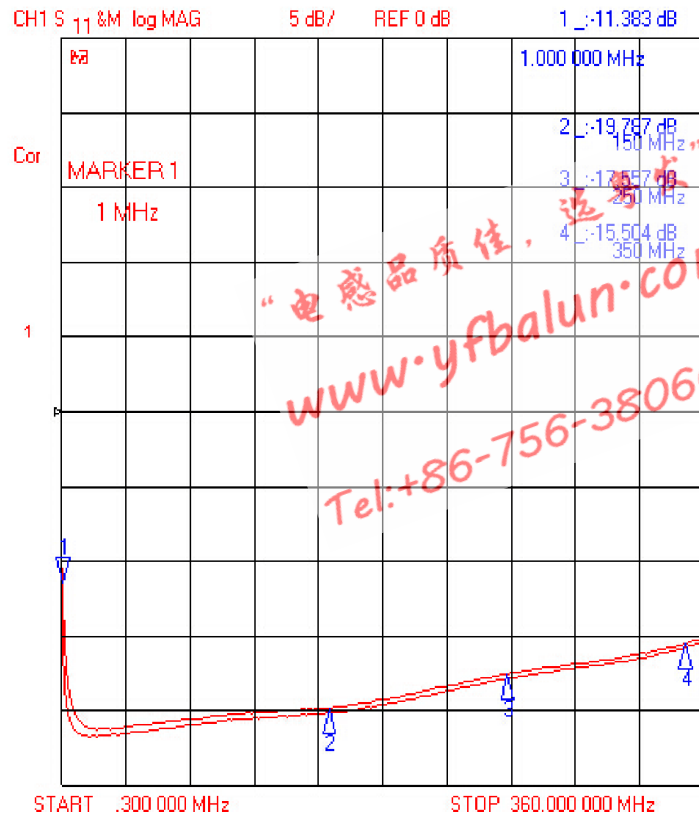
APPROVED BY

deng gao

Insertion loss test curve:



Input return loss test curve:



DRAW BY

yang lin

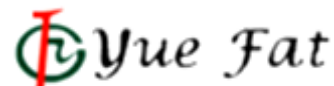
CHECKED BY

ye yong jun

APPROVED BY

deng gao

YB4F-458PT-PBI41A

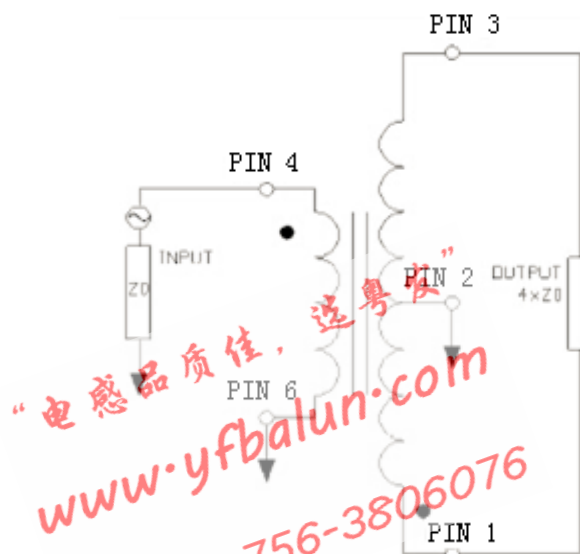


RF Balun Transformer, 1: 4CT Flux Coupled Transformer

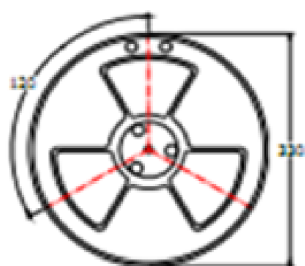
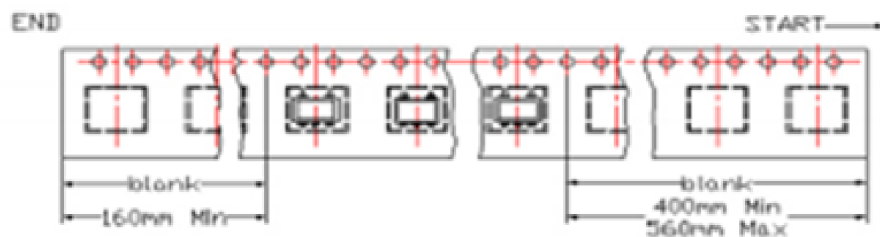
1-350 MHz

Rev. 1

Application circuit :



Packaging dimension for carrier tape & reel(UNIT:mm):



SPEC	8	12	16	24	32	44	56	72
DIM A±0.1	8.5	12.5	16.5	24.5	32.5	44.5	56.5	72.5
DIM B±0.1	2.3	2.3	2.3	2.3	2.3	2.3	2.3	2.3
DIM C±0.1	100	100	100	100	100	100	100	100

QUANTITY

2000PCS/Reel

15 reel/Big carton/60000pcs

DRAW BY

yang lin

CHECKED BY

ye yong jun

APPROVED BY

deng gao